



AfterMarket
Parts • Service • Support • Accessories

Service Parts List

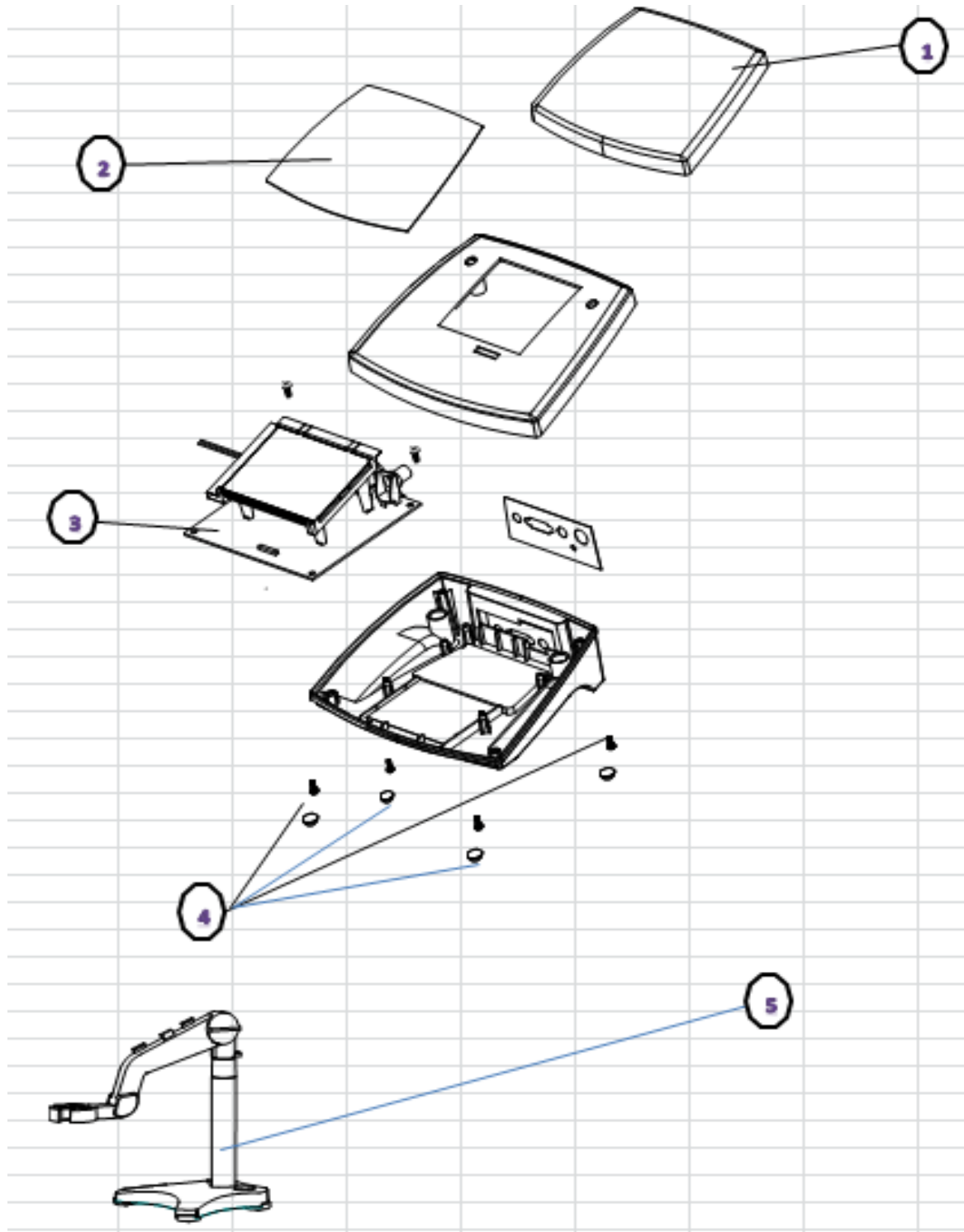
Click on the model being serviced

[ST3100](#)

[ST2100](#)

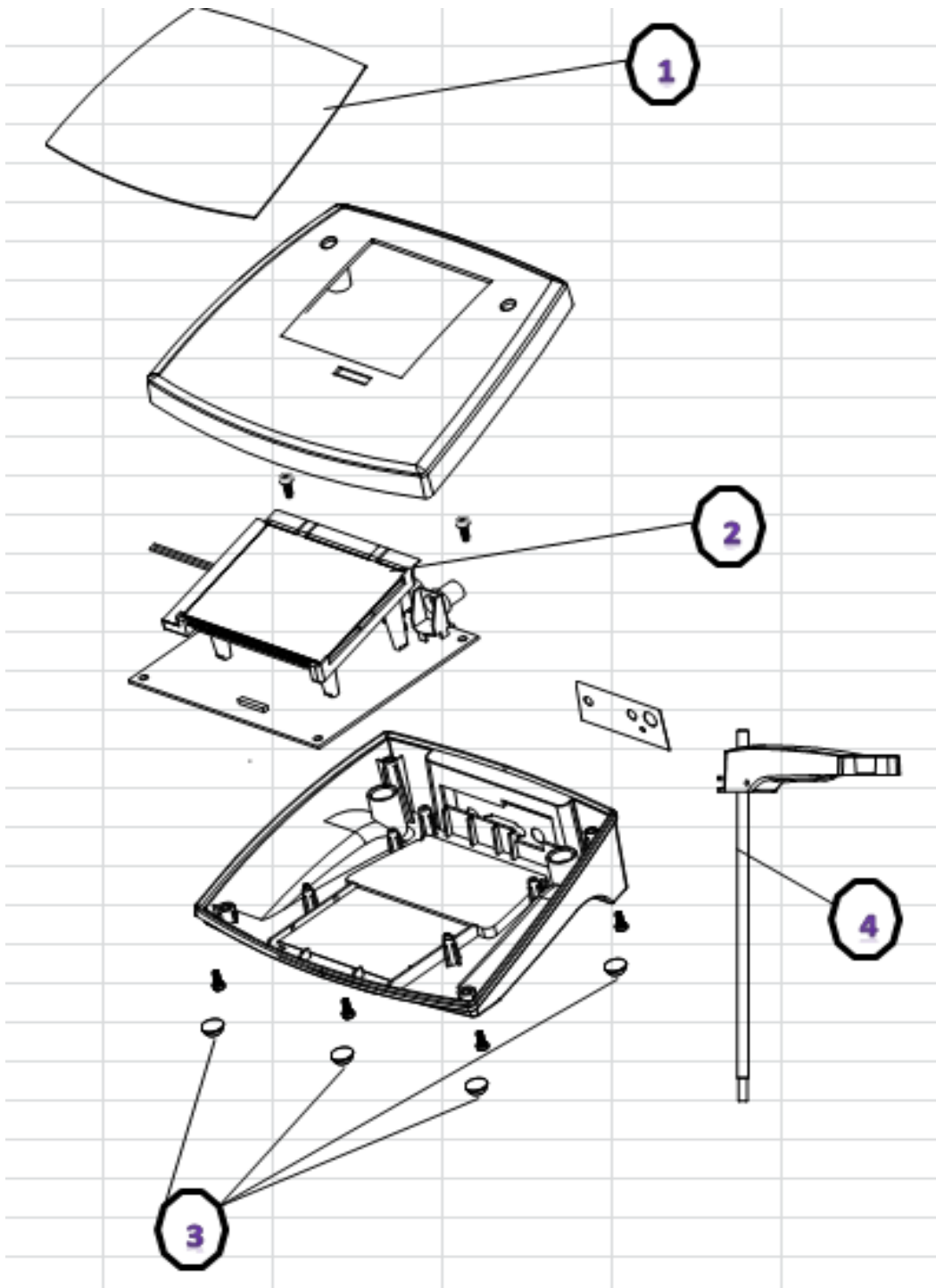
[ST3100C](#)

[ST3100M](#)



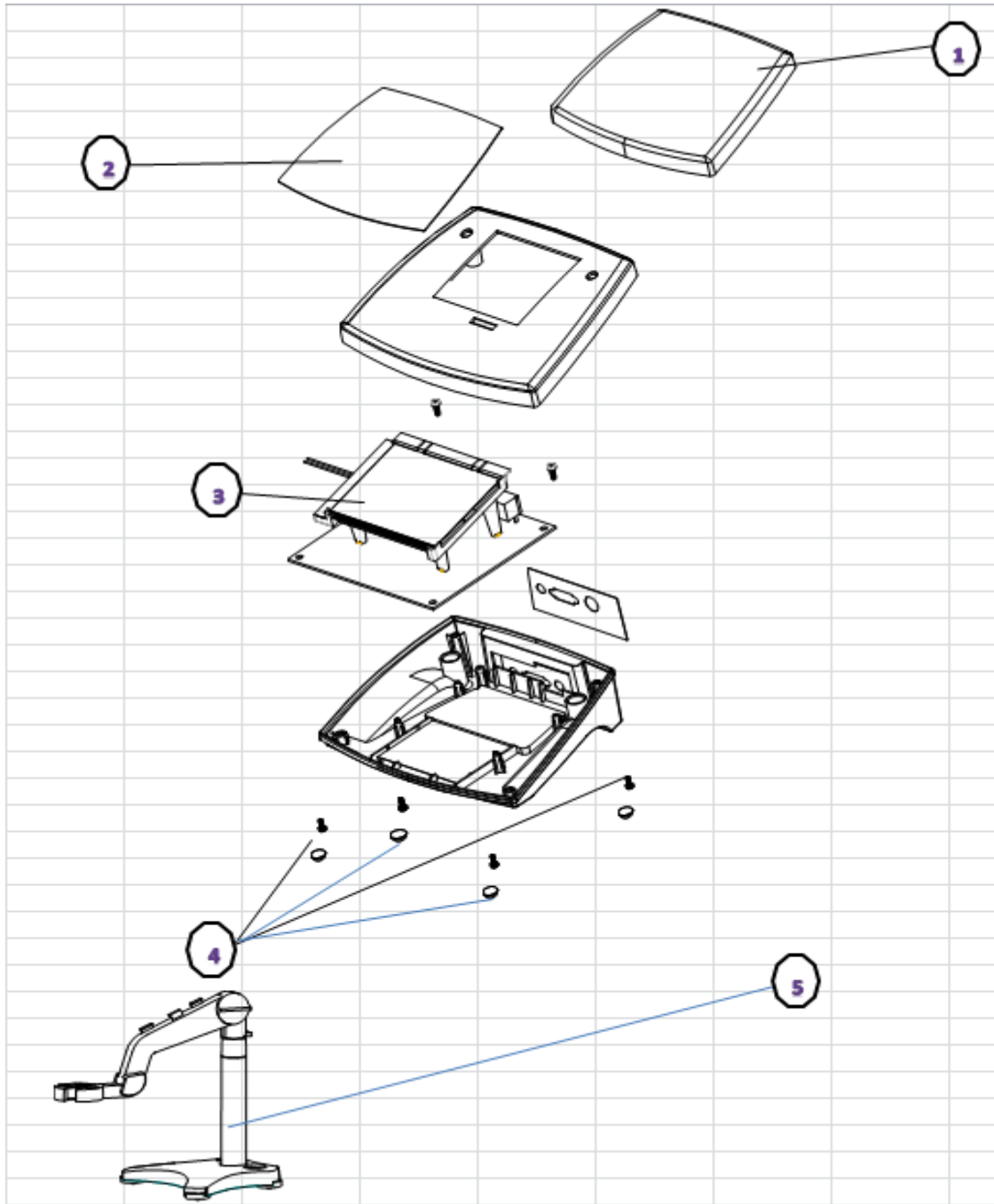
Part numbers are subject to change without notice.

| Drawing Item | Part Number | Description |
|--------------|-------------|---|
| 1 | 30058734 | Acc In-use-cover STARTER |
| 2 | 30063954 | SP_Overlay Starter 3100 EN |
| 3 | 30063908 | SP_PCBA Starter 3100 |
| 4 | 30063906 | SP_Screw and feet set for Starter Bench |
| 5 | 30058733 | Acc Electrode holder stand alone |
| NA | 46001724 | PWR,W,IN,6W,12VDC,S21x55x9x100,S |
| NA | 46001780 | PWR,ACCES,AC-PRONG,SET,EU-US-AU-UK |
| NA | 30063957 | ASM Package ST3100 |

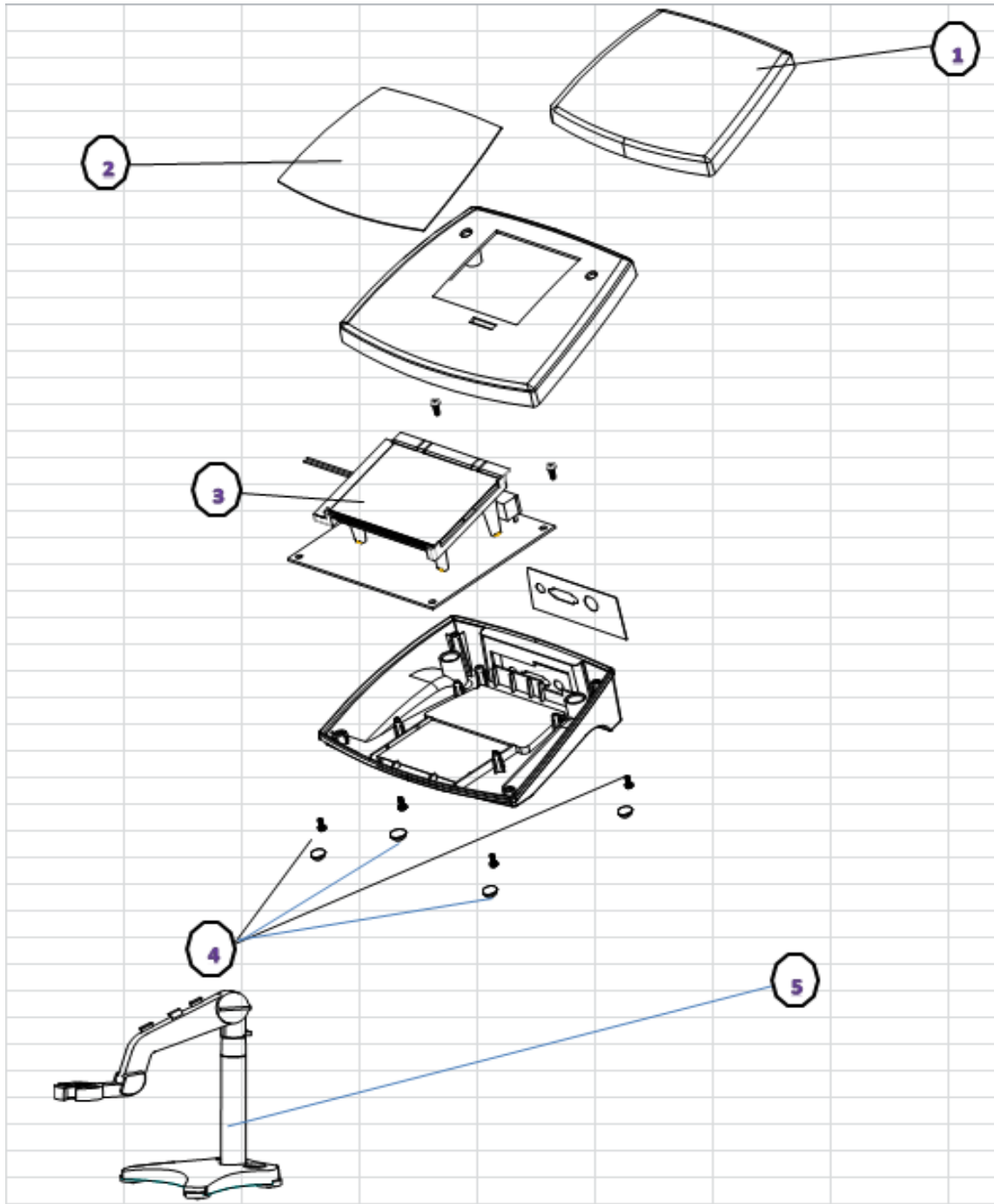


Part numbers are subject to change without notice.

| Drawing Item | Part Number | Description |
|--------------|-------------|---|
| 1 | 30063953 | SP_Overlay Starter 2100 EN |
| 2 | 30063907 | SP_PCBA Starter 2100 |
| 3 | 30063906 | SP_Screw and feet set for Starter Bench |
| 4 | 30058732 | Acc Electrode holder attached |
| NA | 46001724 | PWR,W,IN,6W,12VDC,S21x55x9x100,S |
| NA | 46001780 | PWR,ACCES,AC-PRONG,SET,EU-US-AU-UK |
| NA | 30063957 | ASM Package ST3100 |



| Drawing Item | Part Number | Description |
|--------------|-------------|---|
| 1 | 30058734 | Acc In-use-cover STARTER |
| 2 | 30063955 | SP_Overlay Starter 3100C EN |
| 3 | 30063909 | SP_PCBA Starter 3100C |
| 4 | 30063906 | SP_Screw and feet set for Starter Bench |
| 5 | 30058733 | Acc Electrode holder stand alone |
| NA | 46001724 | PWR,W,IN,6W,12VDC,S21x55x9x100,S |
| NA | 46001780 | PWR,ACCES,AC-PRONG,SET,EU-US-AU-UK |
| NA | 30063957 | ASM Package ST3100 |



Part numbers are subject to change without notice.

| Drawing Item | Part Number | Description |
|--------------|-------------|---|
| 1 | 30058734 | Acc In-use-cover STARTER |
| 2 | 30332136 | SP, Overlay, ST3100M EN |
| | 30332135 | SP, Overlay, ST3100M CN |
| 3 | 30332134 | SP, PCBA, ST3100M |
| 4 | 30063906 | SP_Screw and feet set for Starter Bench |
| 5 | 30058733 | Acc Electrode holder stand alone |
| NA | 46001724 | PWR,W,IN,6W,12VDC,S21x55x9x100,S |
| NA | 46001780 | PWR,ACCES,AC-PRONG,SET,EU-US-AU-UK |
| NA | 30063957 | ASM Package ST3100 |

Part numbers are subject to change without notice.